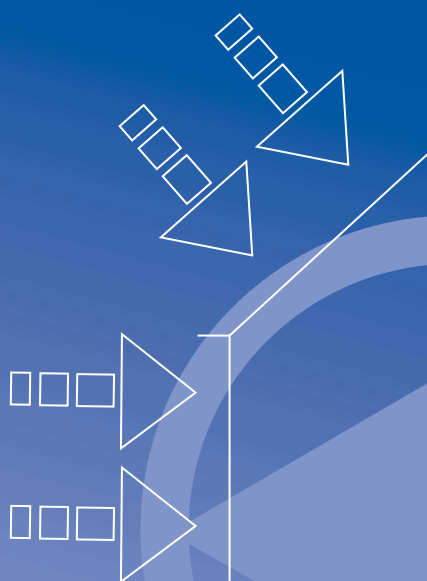
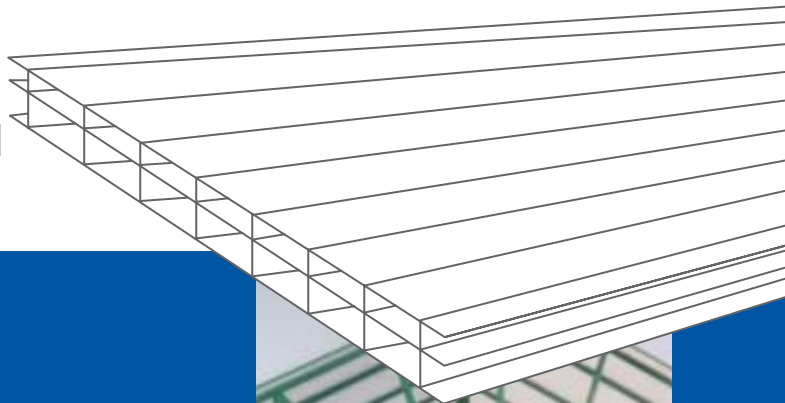




SPARLUX

total roofing	illumination	shed
pergola and porch roof	total cladding	
insulating wall panel	roofing-cladding	
partition	suspended ceiling	



ONDEX[®]
built for you

SPARLUX





SPARLUX

Recognized superiority

The alveolar polycarbonate SPARLUX panels are especially **designed to illuminate buildings** that require continuity in their thermal insulation.

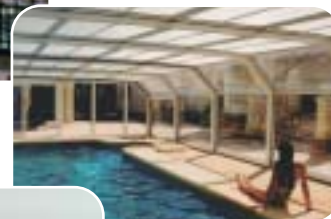
The SPARLUX alveolar panels are included in DTU 39 and have CSTB technical notices.

They are available in two families with different methods of installation:

- **ORGANIC GLAZING** with a thickness up to 25 mm for the roofing, the sheds, the claddings and the ceilings. They are installed with lateral junction sections made of aluminum. These sections can support loads.
- The clippable **ALVEOLAR PANELS** with a thickness of 40 mm for sheds and cladding. They are installed inside a peripheral frame made of aluminum sections. These panels, with ribbing and a tongue, are clipped laterally.

In addition to their thermal insulation qualities, they offer:

- solidity, mechanical resistance, resistance to hail,...
- burning behavior M1, B1 rating... for small thicknesses (up to 10 mm), M2 for greater thicknesses,
- resistance to ageing and yellowing through coextrusion,
- resistance to many chemical aggressions. However, some of these chemicals are incompatible (solvents, aqueous and alkali solutions, gaseous ammonia, amines, etc...),
- bendability for installation on a curved structure (concave or convex). The minimum bending radius is 200 times the thickness of the panel (except for alveolar clippable panels of a thickness of 40 mm that are designed for use in cladding and sheds, only flat).



A COMPLETE RANGE

THICKNESS	4 mm	6 mm	8 mm	10 mm	16 mm	25 mm	40 mm clippable
Total roofing				X	X	X	
Illumination in roofing				X	X	X	
Shed				X	X	X	X
Pergola – porch roof				X	X	X	
Total cladding				X	X	X	X
Illumination in cladding				X	X	X	X
Insulating wall panel				X	X	X	X
Greenhouse			X	X			
Inside partition			X	X	X	X	X
Suspended ceiling	X	X	X	X			

CHARACTERISTICS

THICKNESS (mm)	NUMBER OF WALLS	WEIGHT Kg/m ²	COEFF. W/m ² °C	STANDARD WIDTHS (m)	STANDARD LENGTHS (m)	COLORS	FIRE RATING	LIGHT AIR TRANSMISSION IN %	
4	2	0,8	3,9	1,05 2,10	6,00	light	M1	85	
6	2	1,3	3,6		6,00/7,00	light	M1	85	
					6,00	opal	M1	64	
						smoked	consult us		
8	2	1,5	3,4		6,00/7,00	light	M1	85	
10	2	1,7	3,1		6,00/7,00	light	M1	85	
					6,00/7,00	opal	M1	64	
				7,00		smoked	consult us		
16	3	2,7	2,3	0,98/1,05	6,00/7,00	light	M2	79	
				1,20/2,10		6,00	opal	M2	57
				1,05/2,10			smoked	consult us	
25	5	3,4	1,7	1,20	6,00 7,00	light	M2	72	
						opal	consult us		
40 clippable	3	3,5	1,8	0,60		6,00 7,00	light	M2	72
							opal	consult us	

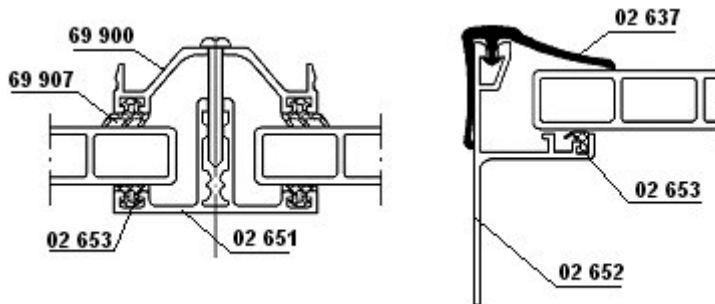
ORGANIC GLAZING

Size of panels and spacing of supports

ADDITIONAL WEIGHT	WIDTH (mm)	10 mm	16 mm	25 mm
50 daN/m ²	700	4500	> 6000	> 6000
	980	2500	5000	
	1050		4000	
	1200			
75 daN/m ²	700	4000	> 6000	> 6000
	980	2000	4000	
	1050		3500	
	1200	2500	5200	
90 daN/m ²	700	4000	> 6000	> 6000
	980	1500	3000	6000
	1050		2500	5300
	1200	2000	4400	
125 daN/m ²	700	2500	6000	> 6000
	980	1500	2000	5100
	1050			4700
	1200	1500	3800	

Recommendations of manufacturer in addition to Technical Notice.
Length and width of sheets in mm for Organic Glazing.

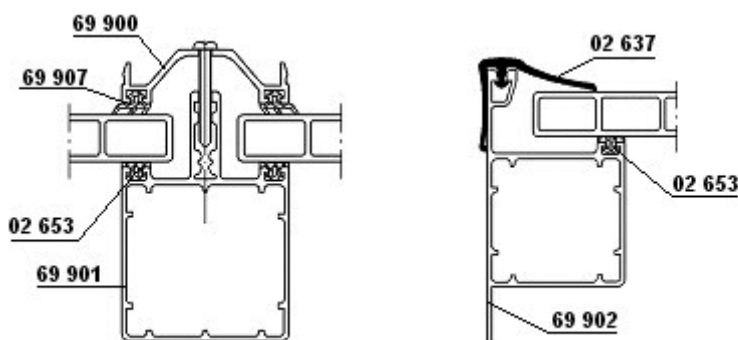
Determination of lateral aluminum sections



CODES	DESCRIPTIONS
02637	double high black joint lips for rafter
02651	simple rafter in primary aluminum
02652	simple ridge rafter in primary aluminum
02653	black rest joint for rafter
69900	tightening cover in primary aluminum
69907	joint of tightening cover

SIMPLE RAFTER (02 651) OR SIMPLE RIDGE RAFTER (02 652) (MAXI SAGGING 1/200 DE LA SPAN)

Load	50 daN/m ²		75 daN/m ²		90 daN/m ²		125 daN/m ²	
Width of panel (mm)	2 supports	3 supports and more	2 supports	3 supports and more	2 supports	3 supports and more	2 supports	3 supports and more
700	1,10 m				For loads greater than 75 daN/m ² , fasten the sections on a bridle joint that will support the loads.			
980	For panels of a width greater than 0.98 m, fasten the sections on a bridle joint that will support the loads.							
1050								
1200								

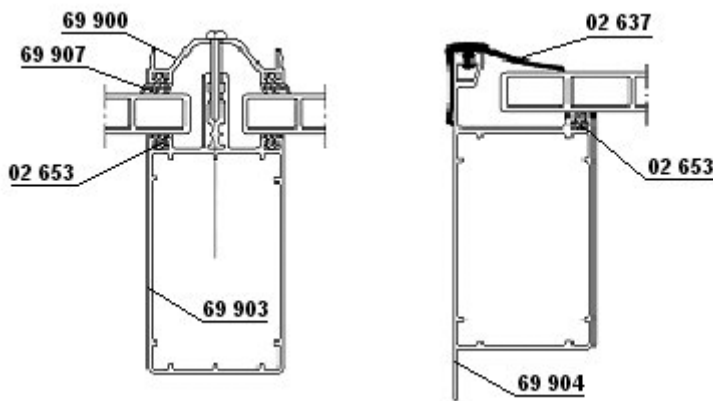


CODES	DESCRIPTIONS
02637	double high black joint lips for rafter
02653	black rest joint for rafter
69900	tightening cover in primary aluminum
69901	supporting rafter in primary aluminum
69902	supporting ridge rafter in primary aluminum
69907	joint of tightening cover

SUPPORTING RAFTER (69 901) OR SUPPORTING RIDGE RAFTER (69 902) (MAXI SAGGING 1/200 OF THE SPAN)

Load	50 daN/m ²		75 daN/m ²		90 daN/m ²		125 daN/m ²	
Width of panel (mm)	2 supports	3 supports and more	2 supports	3 supports and more	2 supports	3 supports and more	2 supports	3 supports and more
700	2,79 m	3,78 m	2,43 m	3,30 m	2,35 m	3,18 m	2,12 m	2,87 m
980	2,49 m	3,37 m	2,16 m	2,93 m	2,09 m	2,83 m	1,88 m	2,56 m
1050	2,41 m	3,27 m	2,10 m	2,84 m	2,02 m	2,74 m	1,83 m	2,48 m
1200	2,34 m	3,18 m	2,04 m	2,76 m	1,97 m	2,68 m	1,77 m	2,41 m

Determination of lateral aluminum sections



CODES	DESCRIPTIONS
02637	double high black joint lips for rafter
02653	black rest joint for rafter
69900	tightening cover in primary aluminum
69903	reinforced ridge rafter in primary aluminum
69904	reinforced supporting rafter in primary aluminum
69907	joint of tightening cover

SUPPORTING RAFTER (69 903) OR SUPPORTING RIDGE RAFTER (69 904) (MAXI SAGGING 1/200 OF THE SPAN)

Load	50 daN/m ²		75 daN/m ²		90 daN/m ²		125 daN/m ²	
	2 supports	3 supports and more	2 supports	3 supports and more	2 supports	3 supports and more	2 supports	3 supports and more
700	4,05 m	5,45 m	3,53 m	4,79 m	3,40 m	4,62 m	3,08 m	4,17 m
980	3,61 m	4,89 m	3,14 m	4,26 m	3,03 m	4,11 m	2,74 m	3,71 m
1050	3,50 m	4,75 m	3,04 m	4,13 m	3,94 m	3,98 m	2,65 m	3,06 m
1200	3,40 m	4,61 m	2,96 m	4,01 m	2,85 m	3,87 m	2,58 m	3,50 m

ALVEOLAR PANES

Spacing of supports for alveolar panels 40 mm clippable

	HEIGHT OF STRUCTURE WITH RESPECT TO THE GROUND		NORMAL SITUATION	SITUATION IN CORNER
CLOSED BUILDING (pressure)	0 to 8 meters 50 daN/m ²	2 supports	2350 mm	1600 mm
		3 supports and more	2450 mm	1150 mm
	8 to 20 meters 75 daN/m ²	2 supports	1950 mm	1250 mm
		3 supports and more	1850 mm	700 mm
OPEN BUILDING (without pressure)	0 to 8 meters 50 daN/m ²	2 supports	1700 mm	1280 mm
		3 supports and more	1350 mm	750 mm
	8 to 20 meters 75 daN/m ²	2 supports	1340 mm	750 mm
		3 supports and more	850 mm	450 mm

Please note: All the details for installation are indicated in the Technical Notices of the CSTB, supplied on demand.

Only these Technical Notices are applicable when installing SPARLUX panels.

The manufacturer reserves the right to change the product and related characteristics.